

# ISOTOP® PRESSURE-TENSION ELEMENTS

## DATASHEET



Quickly find the right Isotop® machine bearing for your application with the EquipCalc selection program from Getzner.



Register online now  
[apps.getzner.com](https://apps.getzner.com)

## PRODUCT BENEFITS

- Effective vibration damping and isolation of vibrations
- High degree of stability
- Versatile application options

All information and data are based on our current knowledge. It can be used in calculations and for reference purposes, but is subject to product-specific and application-specific manufacturing tolerances and does not represent warranted properties. Material properties and their tolerances vary depending on the type of application and load and are available from Getzner on request. Subject to change without notice.

For further general information, see VDI Directive 2062 and glossary.  
Further characteristic values available on request.

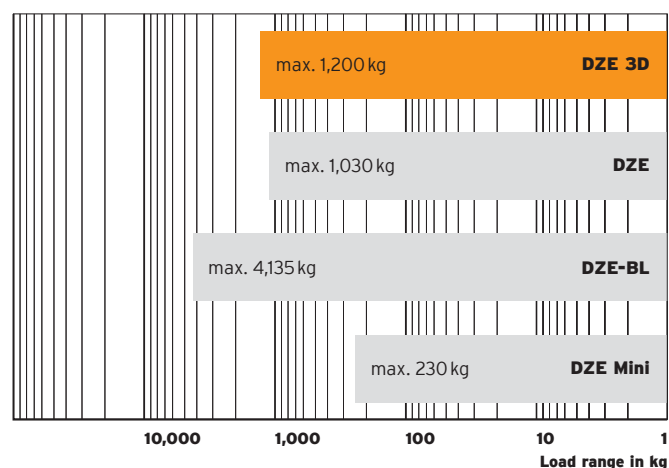
**getzner**

# ISOTOP® DZE 3D



## Isotop® type overview

Static application range



## Description

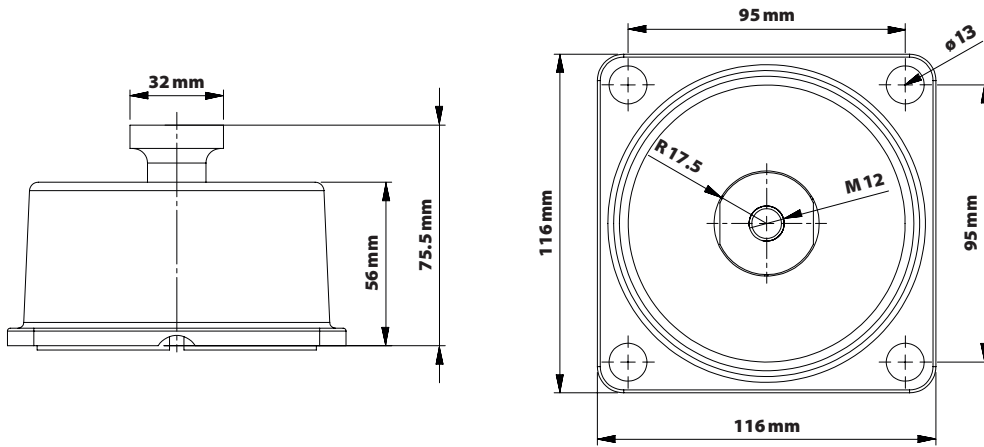
<b>Category</b>	Pressure-tension element
<b>Material</b>	Die-cast stainless steel: housing 1.4308, inner part 1.4301 19 mm Sylodamp® 30 mm Sylodyn® isolating layer
<b>Dimensions</b>	78×160×160 mm

## Product characteristics

<b>Natural frequency from</b>	11.3 Hz
<b>Load range</b>	0-1,200 kg / 11,772 N
<b>Dyn. horizontal stiffness</b>	0.88-3.96 kN/mm
<b>Overall height, unloaded</b>	78 mm
<b>Connection thread</b>	M12 internal thread
<b>Coating</b>	n.a.
<b>Permissible temperature range</b>	-30 °C to +70 °C
<b>Suitable accessories</b>	-



[getzner.com/  
pressure-tension-elements](https://www.getzner.com/pressure-tension-elements)

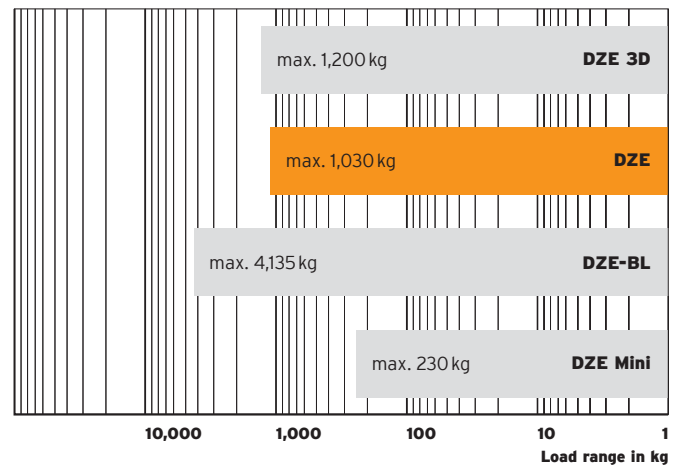
**Isotop® DZE 3D**  
(unloaded)

# ISOTOP® DZE-1



## Isotop® type overview

Static application range



## Description

<b>Category</b>	Pressure-tension element
<b>Material</b>	Die-cast stainless steel: housing 1.4308, inner part 1.4301 25 mm Sylodyn® 12.5 mm Sylodamp®
<b>Dimensions</b>	65 × 100 × 100 mm

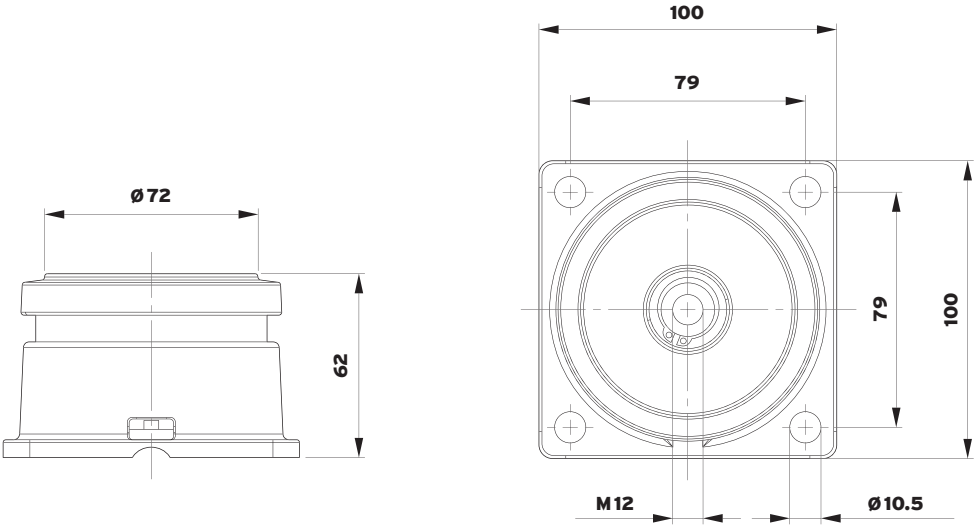
## Product characteristics

<b>Natural frequency from</b>	9.5 Hz
<b>Load range</b>	0-1,030 kg / 10,104 N
<b>Overall height, unloaded</b>	65 mm
<b>Connection thread</b>	M12 internal thread
<b>Coating</b>	n.a.
<b>Permissible temperature range</b>	-30 °C to +70 °C
<b>Suitable accessories</b>	-

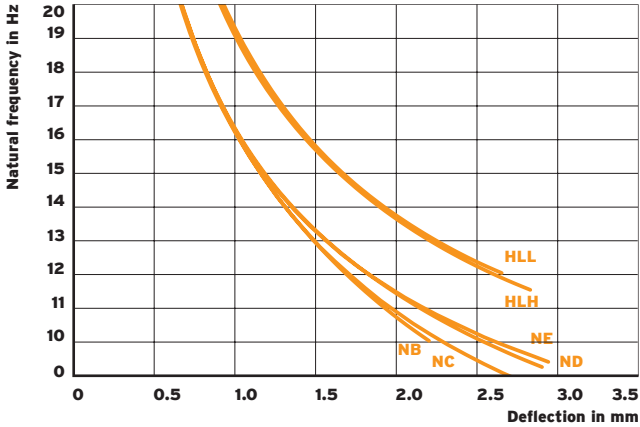
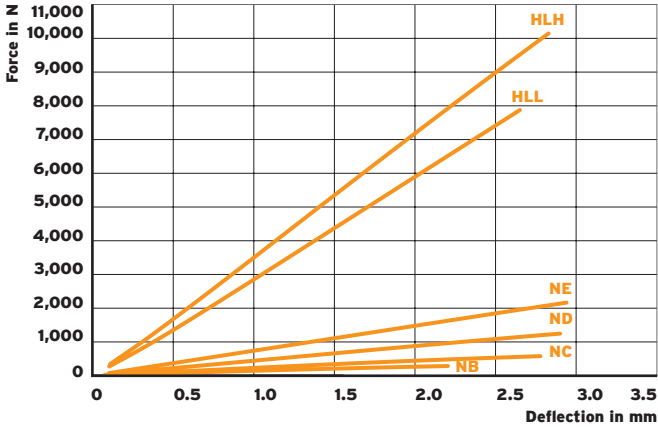


[getzner.com/  
pressure-tension-elements](https://www.getzner.com/pressure-tension-elements)

**Isotop® DZE-1**  
(unloaded)



**Isotop® DZE-1**

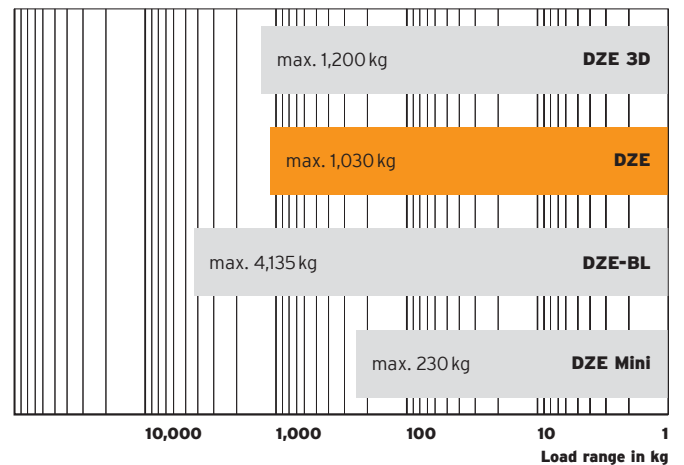


# ISOTOP® DZE-2



## Isotop® type overview

Static application range



## Description

<b>Category</b>	Pressure-tension element
<b>Material</b>	Die-cast stainless steel: housing 1.4308, inner part 1.4301 50 mm Sylodyn® 12.5 mm Sylodamp®
<b>Dimensions</b>	87 × 100 × 100 mm

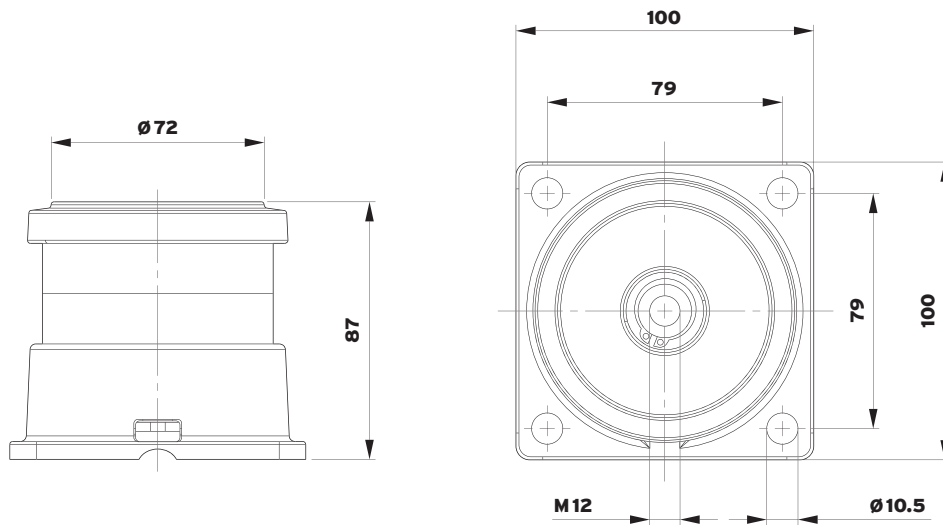
## Product characteristics

<b>Natural frequency from</b>	7 Hz
<b>Load range</b>	0-820 kg / 8,044 N
<b>Overall height, unloaded</b>	87 mm
<b>Connection thread</b>	M12 internal thread
<b>Coating</b>	n.a.
<b>Permissible temperature range</b>	-30 °C to +70 °C
<b>Suitable accessories</b>	-

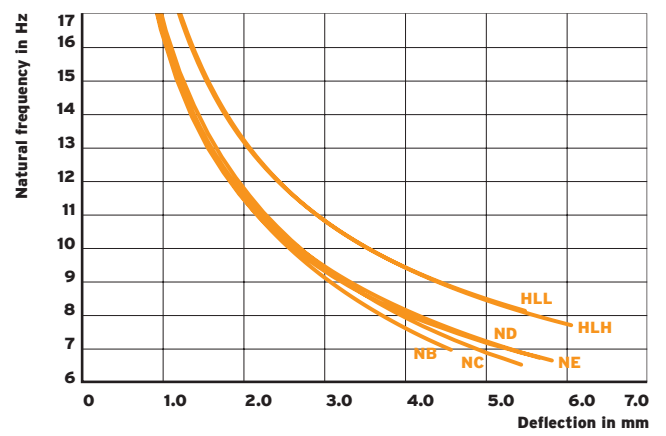
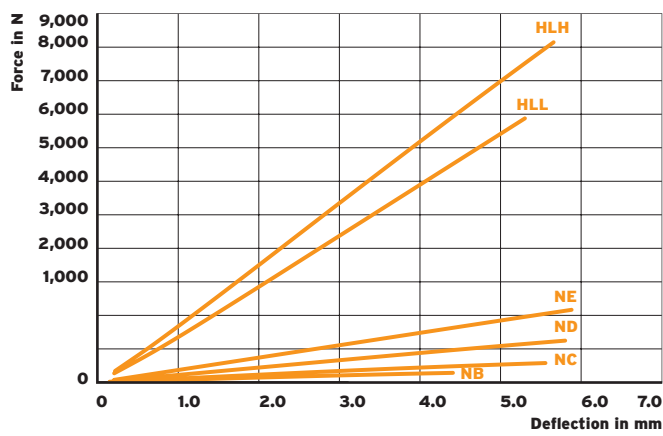


[getzner.com/  
pressure-tension-elements](https://www.getzner.com/pressure-tension-elements)

**Isotop® DZE-2**  
(unloaded)



**Isotop® DZE-2**

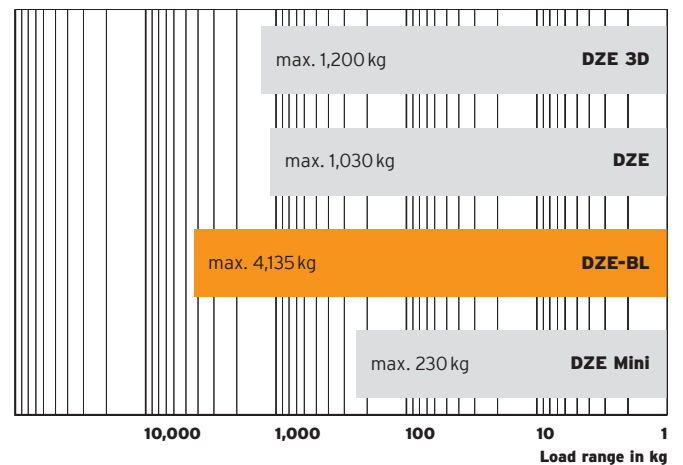


# ISOTOP® DZE-1-BL



## Isotop® type overview

Static application range



## Description

<b>Category</b>	Pressure-tension element Custom version available
<b>Material</b>	Die-cast stainless steel: housing 1.4308, inner part 1.4301 25 mm Sylodyn® 12.5 mm Sylodamp® Pressure plates (steel)
<b>Dimensions</b>	As per drawing

## Product characteristics

<b>Natural frequency from</b>	11.5 Hz
<b>Load range</b>	0-4,135 kg / 40,564 N
<b>Overall height, unloaded</b>	As per drawing
<b>Connection thread</b>	As per drawing
<b>Coating</b>	–
<b>Permissible temperature range</b>	-30 °C to +70 °C
<b>Suitable accessories</b>	–

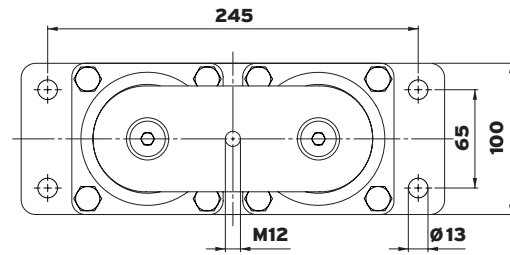
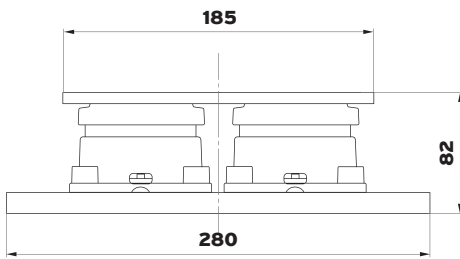


[getzner.com/  
pressure-tension-elements](https://www.getzner.com/pressure-tension-elements)



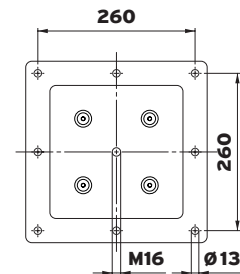
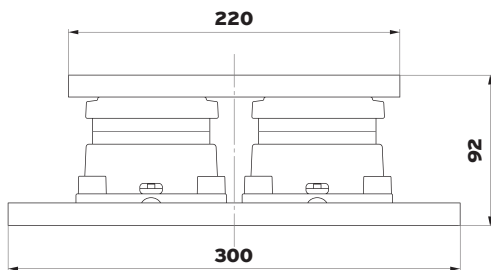
### Isotop® DZE-1-BL 2

(unloaded)

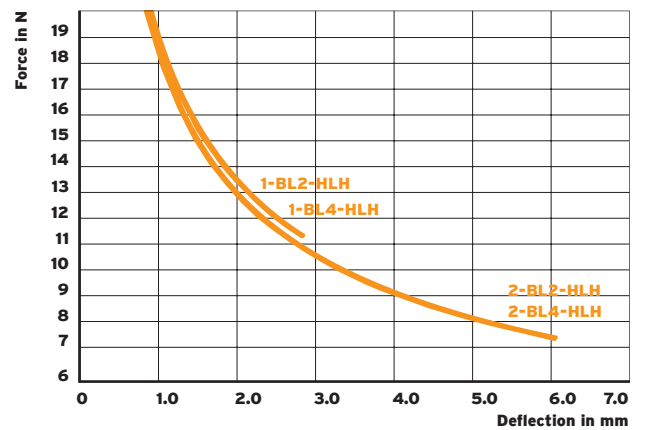
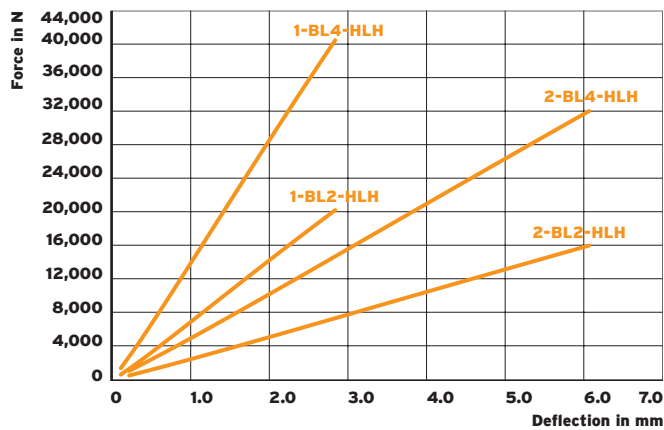


### Isotop® DZE-1-BL 4

(unloaded)



### Isotop® DZE-1-BL

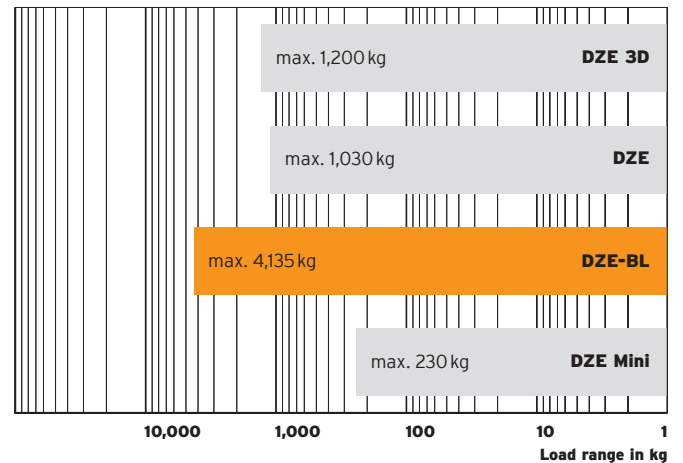


# ISOTOP® DZE-2-BL



## Isotop® type overview

Static application range



## Description

<b>Category</b>	Pressure-tension element Custom version available
<b>Material</b>	Die-cast stainless steel: housing 1.4308, inner part 1.4301 50 mm Sylodyn® 12.5 mm Sylodamp® Pressure plates (steel)
<b>Dimensions</b>	As per drawing

## Product characteristics

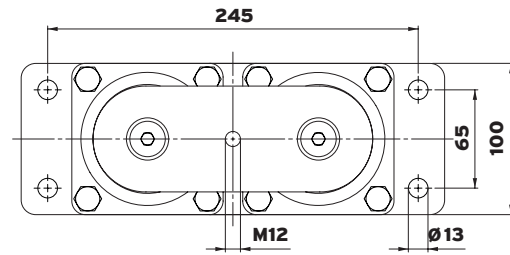
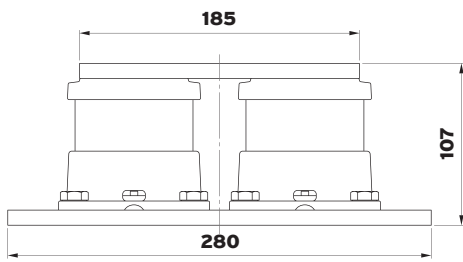
<b>Natural frequency from</b>	7.7 Hz
<b>Load range</b>	0-3,270 kg / 32,079 N
<b>Overall height, unloaded</b>	As per drawing
<b>Connection thread</b>	As per drawing
<b>Coating</b>	–
<b>Permissible temperature range</b>	-30 °C to +70 °C
<b>Suitable accessories</b>	–



[getzner.com/  
pressure-tension-elements](https://www.getzner.com/pressure-tension-elements)

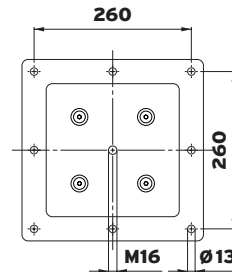
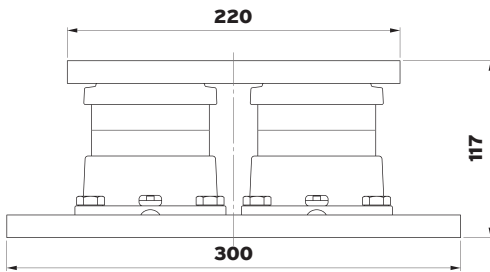
**Isotop® DZE-2-BL 2**

(unloaded)

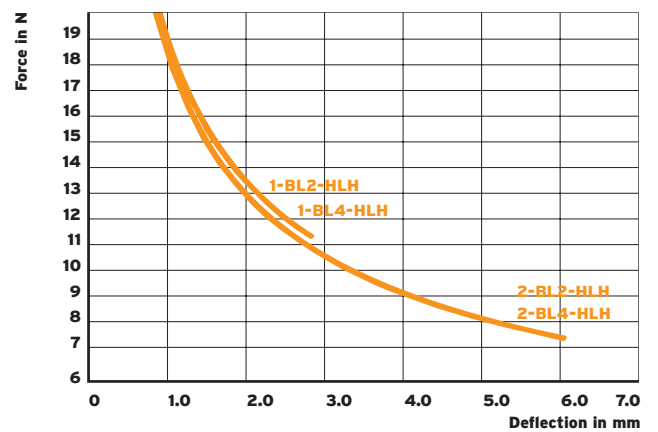
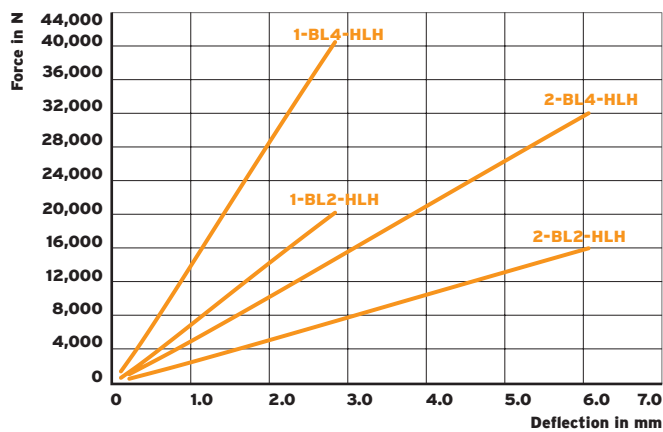


**Isotop® DZE-2-BL 4**

(unloaded)



**Isotop® DZE-2-BL**

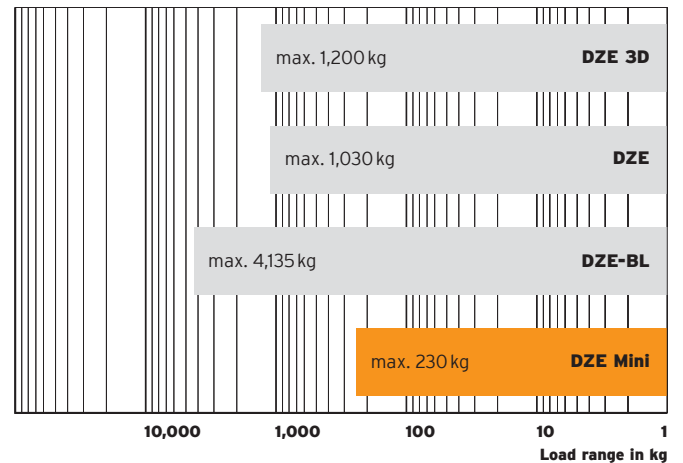


# ISOTOP® DZE MINI



## Isotop® type overview

Static application range



## Description

<b>Category</b>	Pressure-tension element
<b>Material</b>	Die-cast stainless steel: housing 1.4308, inner part 1.4301 25 mm Sylodyn® 6 mm Sylodamp®
<b>Dimensions</b>	49×65×65 mm

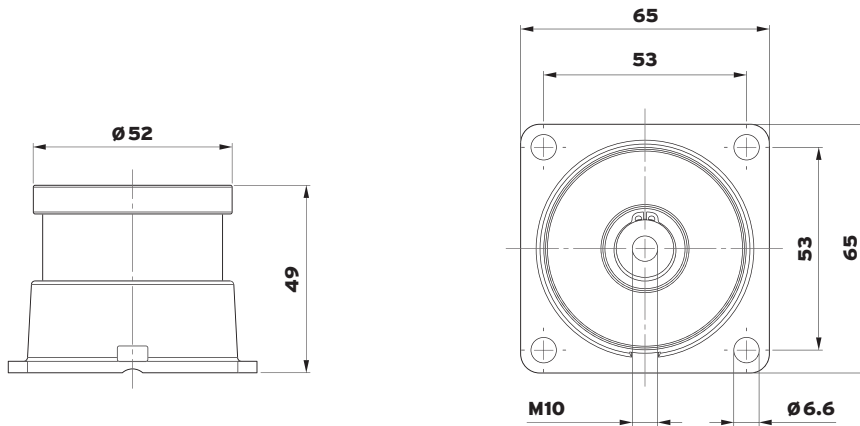
## Product characteristics

<b>Natural frequency from</b>	9.6 Hz
<b>Load range</b>	0-230 kg / 2,256 N
<b>Overall height, unloaded</b>	49 mm
<b>Connection thread</b>	M10 internal thread
<b>Coating</b>	–
<b>Permissible temperature range</b>	-30 °C to +70 °C
<b>Suitable accessories</b>	–



[getzner.com/  
pressure-tension-elements](https://www.getzner.com/pressure-tension-elements)

**Isotop® DZE Mini**  
(unloaded)



**Isotop® DZE Mini**

