

ISOTOP® CEILING HANGERS

DATASHEET



Quickly find the right Isotop® machine bearing for your application with the EquipCalc selection program from Getzner.



Register online now
apps.getzner.com

PRODUCT BENEFITS

- High load-bearing capacity and stability
- Simple and flexible installation using a single attachment point
- Effective vibration isolation using proven steel springs

All information and data are based on our current knowledge. It can be used in calculations and for reference purposes, but is subject to product-specific and application-specific manufacturing tolerances and does not represent warranted properties. Material properties and their tolerances vary depending on the type of application and load and are available from Getzner on request. Subject to change without notice.

For further general information, see VDI Directive 2062 and glossary.
Further characteristic values available on request.

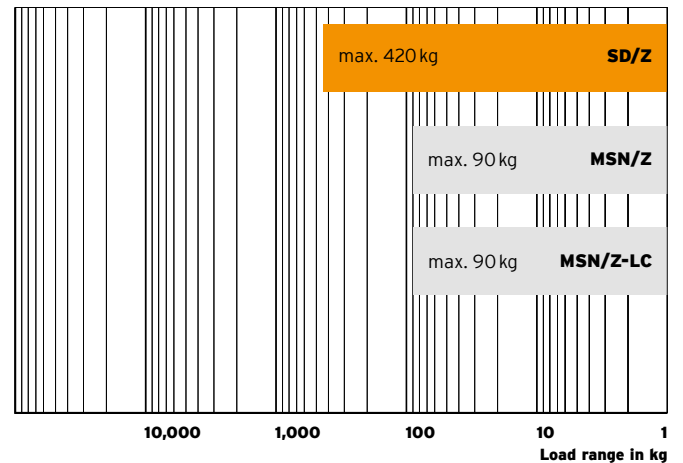
getzner

ISOTOP® SD/Z



Isotop® type overview

Static application range



Description

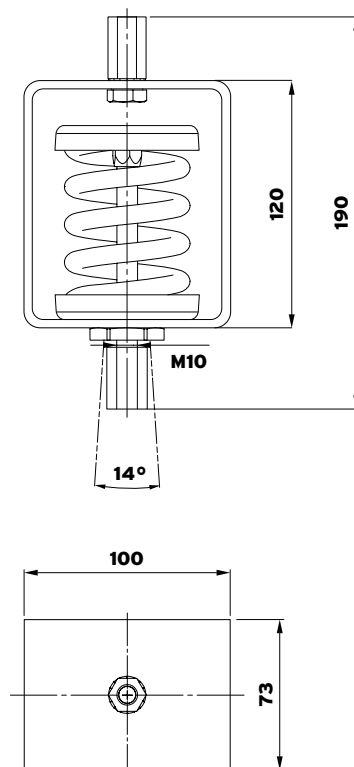
| | |
|-------------------|---|
| Category | Ceiling hangers |
| Material | Metal caps made of steel Spring steel Housing made of steel |
| Dimensions | 190×100×73 mm |

Product characteristics

| | |
|--------------------------------------|---|
| Natural frequency from | 3.2 Hz |
| Load range | 0–420 kg / 4,120 N |
| Overall height, unloaded | 190 mm |
| Connection thread | M10 internal thread |
| Coating | Electro-galvanised springs Powder-coated housing |
| Permissible temperature range | -30 °C to +70 °C |
| Suitable accessories | – |

Isotop® SD/Z

(unloaded)



getzner.com/
ceiling-hangers

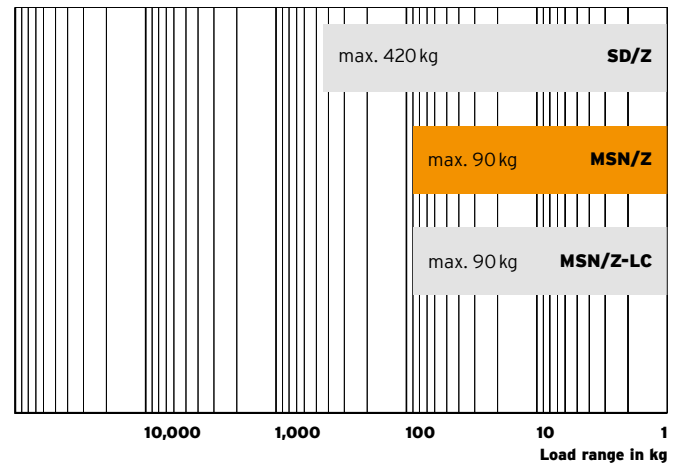
by getzner
isotop®

ISOTOP® MSN/Z



Isotop® type overview

Static application range



Description

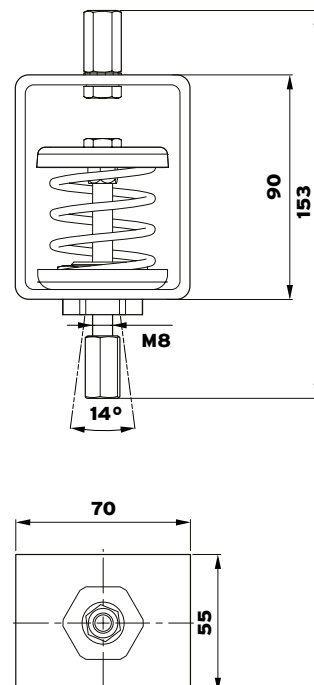
| | |
|-------------------|---|
| Category | Ceiling hangers |
| Material | Metal caps made of steel Spring steel Housing made of steel |
| Dimensions | 173×54×55 mm |

Product characteristics

| | |
|--------------------------------------|---|
| Natural frequency from | 3.5 Hz |
| Load range | 0-90 kg / 883 N |
| Overall height, unloaded | 173 mm |
| Connection thread | M8 internal thread |
| Coating | Electro-galvanised springs Powder-coated housing |
| Permissible temperature range | -30 °C to +70 °C |
| Suitable accessories | - |

Isotop® MSN/Z

(unloaded)



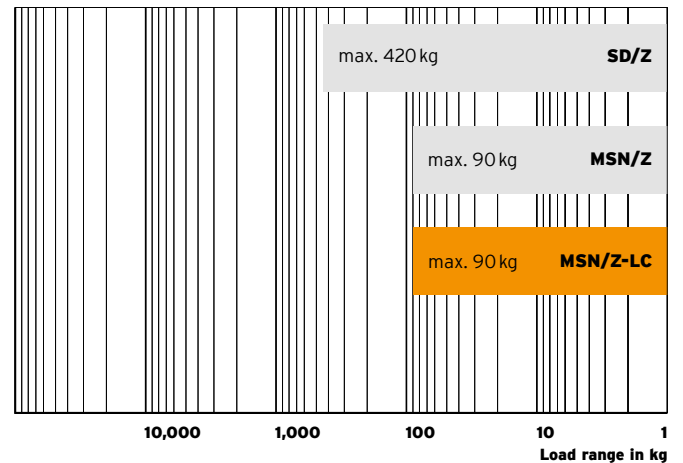
[getzner.com/
ceiling-hangers](https://www.getzner.com/ceiling-hangers)

ISOTOP® MSN/Z-LC



Isotop® type overview

Static application range



Description

| | |
|-------------------|---|
| Category | Ceiling hangers |
| Material | Metal caps made of steel Spring steel Housing made of steel |
| Dimensions | 104.6×120×60 mm |

Product characteristics

| | |
|--------------------------------------|--------------------|
| Natural frequency from | 3.5 Hz |
| Load range | 0-90 kg / 883 N |
| Overall height, unloaded | 104.6 mm |
| Connection thread | M8 internal thread |
| Coating | Electro-galvanised |
| Permissible temperature range | -30 °C to +70 °C |
| Suitable accessories | - |

Isotop® MSN/Z-LC

(unloaded)

