

ISOTOP® CEILING HANGERS

DATASHEET



Quickly find the right Isotop® machine bearing for your application with the EquipCalc selection program from Getzner.



Register online now
apps.getzner.com

PRODUCT BENEFITS

- High load-bearing capacity and stability
- Simple and flexible installation using a single attachment point
- Effective vibration isolation using proven steel springs

All information and data are based on our current knowledge. It can be used in calculations and for reference purposes, but is subject to product-specific and application-specific manufacturing tolerances and does not represent warranted properties. Material properties and their tolerances vary depending on the type of application and load and are available from Getzner on request. Subject to change without notice.

For further general information, see VDI Directive 2062 and glossary.
Further characteristic values available on request.

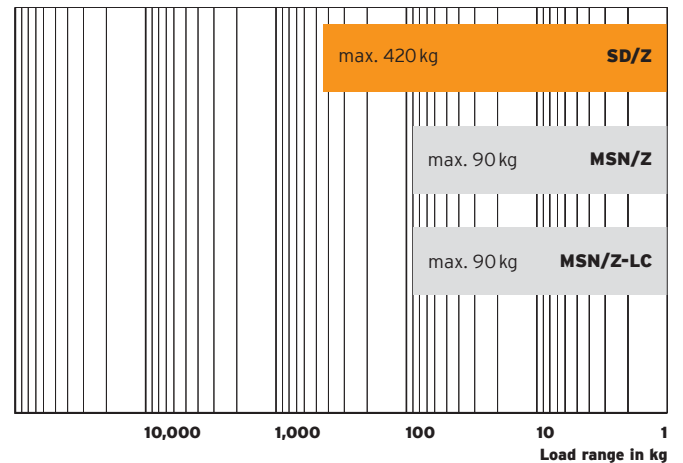
getzner

ISOTOP® SD/Z



Isotop® type overview

Static application range



Description

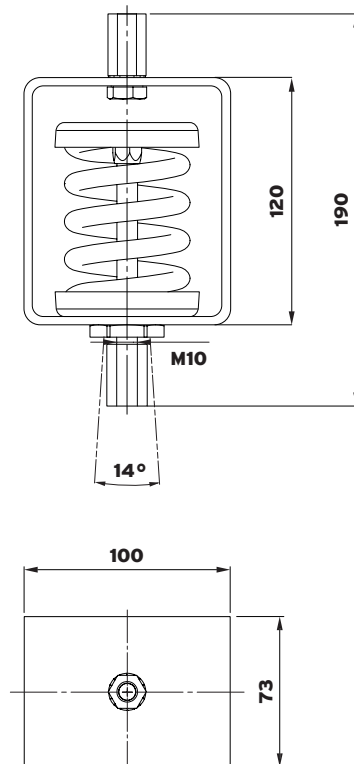
Category	Ceiling hangers
Material	Metal caps made of steel Spring steel Housing made of steel
Dimensions	190×100×73 mm

Product characteristics

Natural frequency from	3.2 Hz
Load range	0–420 kg / 4,120 N
Overall height, unloaded	190 mm
Connection thread	M10 internal thread
Coating	Electro-galvanised springs Powder-coated housing
Permissible temperature range	-30 °C to +70 °C
Suitable accessories	–

Isotop® SD/Z

(unloaded)



getzner.com/
ceiling-hangers

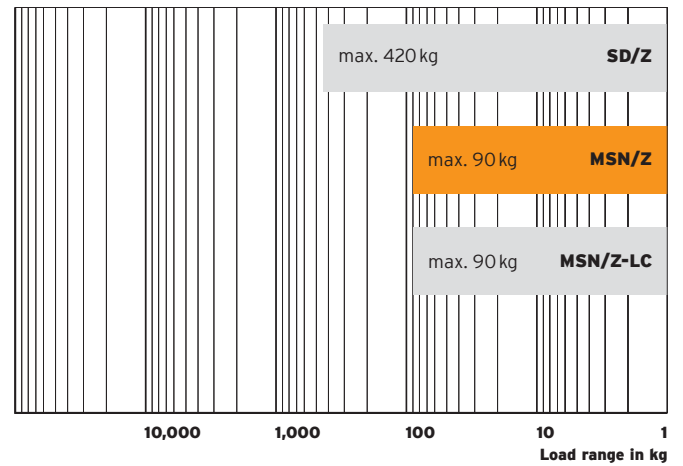
by getzner
isotop®

ISOTOP® MSN/Z



Isotop® type overview

Static application range



Description

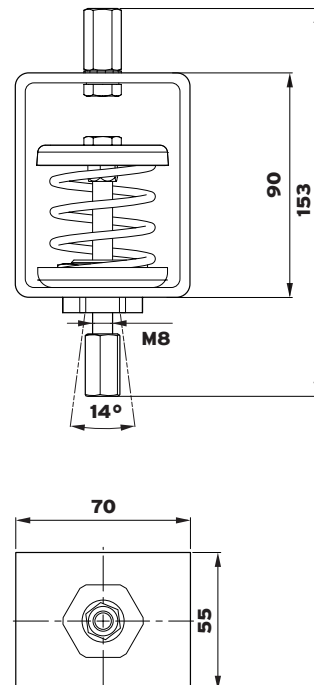
Category	Ceiling hangers
Material	Metal caps made of steel Spring steel Housing made of steel
Dimensions	173×54×55 mm

Product characteristics

Natural frequency from	3.5 Hz
Load range	0-90 kg / 883 N
Overall height, unloaded	173 mm
Connection thread	M8 internal thread
Coating	Electro-galvanised springs Powder-coated housing
Permissible temperature range	-30 °C to +70 °C
Suitable accessories	-

Isotop® MSN/Z

(unloaded)



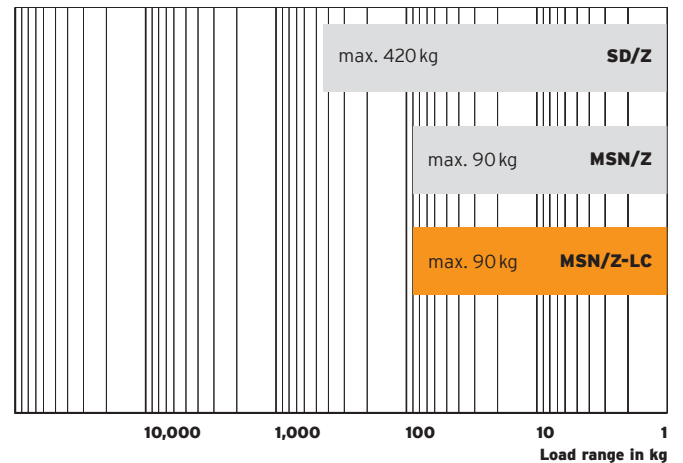
getzner.com/
ceiling-hangers

ISOTOP® MSN/Z-LC



Isotop® type overview

Static application range



Description

Category	Ceiling hangers
Material	Metal caps made of steel Spring steel Housing made of steel
Dimensions	104.6×120×60 mm

Product characteristics

Natural frequency from	3.5 Hz
Load range	0-90 kg / 883 N
Overall height, unloaded	104.6 mm
Connection thread	M8 internal thread
Coating	Electro-galvanised
Permissible temperature range	-30 °C to +70 °C
Suitable accessories	-

Isotop® MSN/Z-LC

(unloaded)

